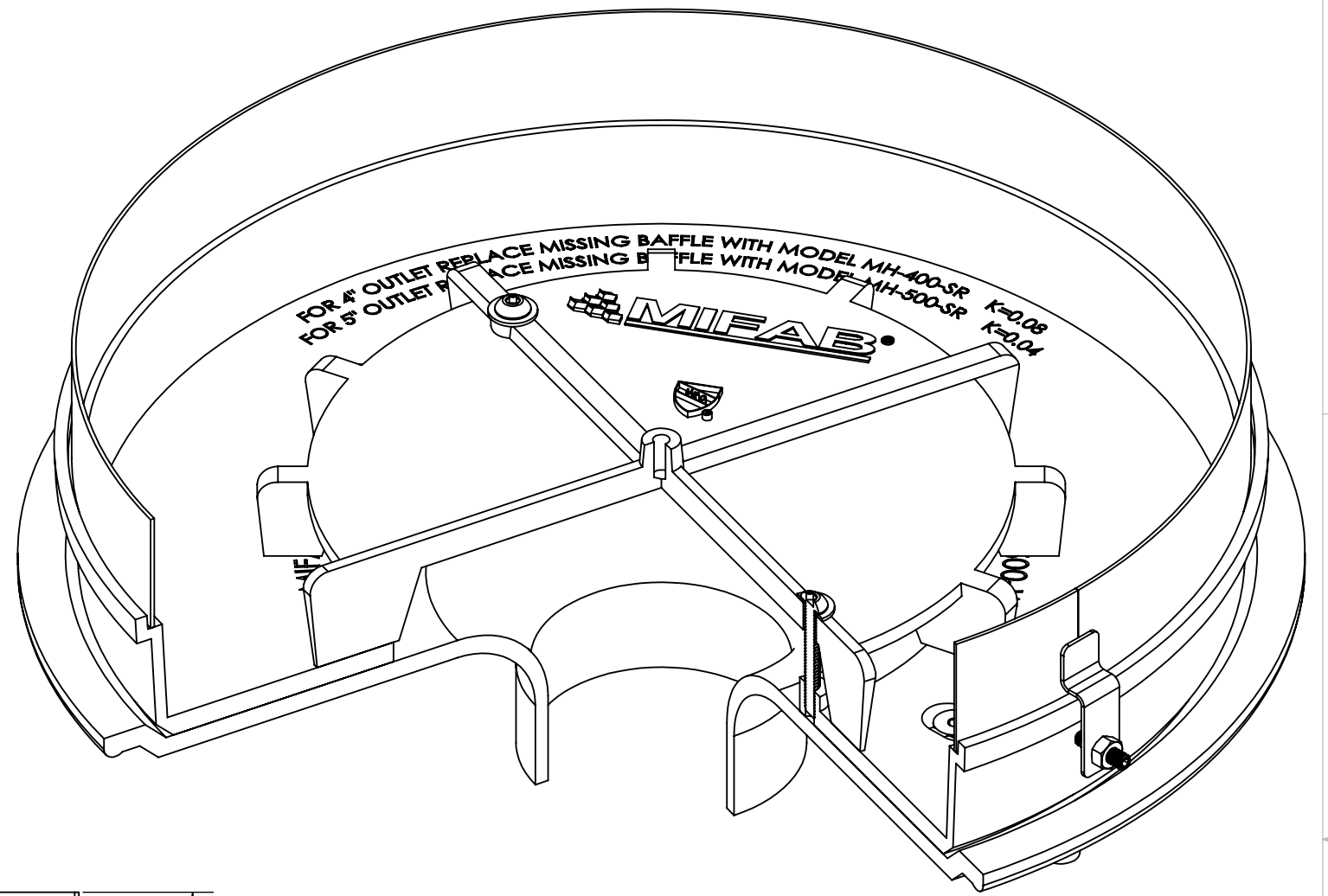


8 7 6 5 4 3 2 1

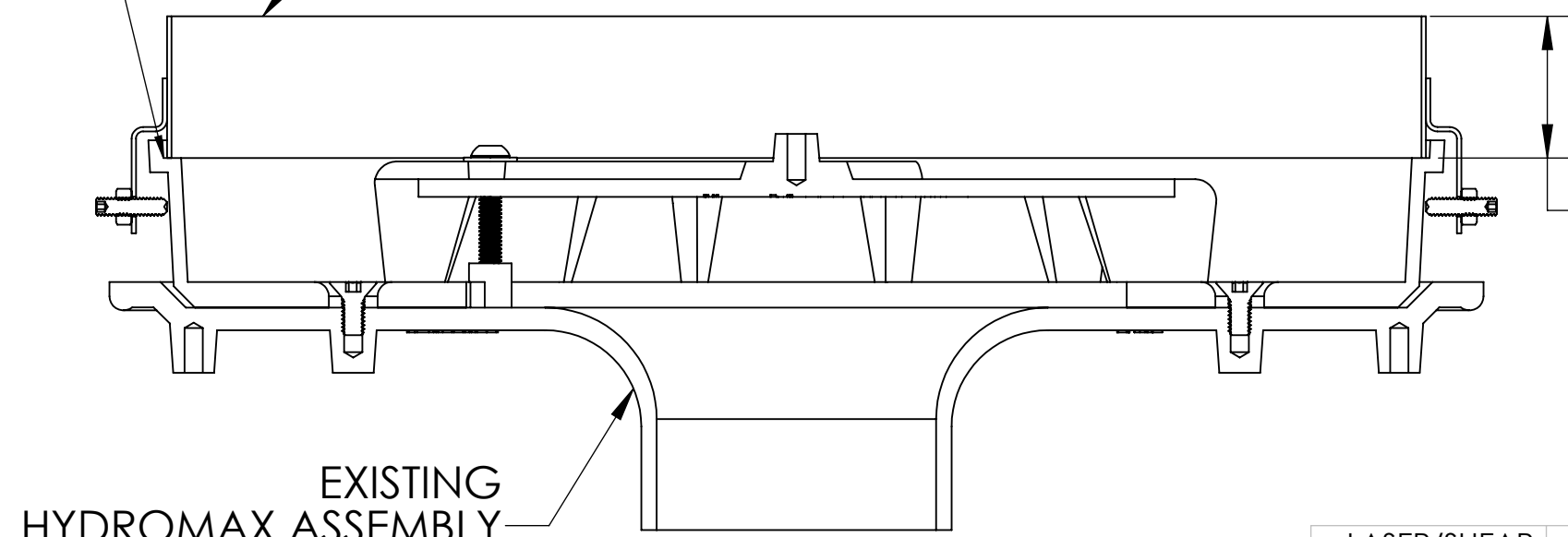
D
C
B
A

D
C
B
A



APPLY SEALANT AROUND EXTENSION

MH-X01-WDEXT-2IN



2"
HEIGHT IS ADJUSTABLE

EXISTING
HYDROMAX ASSEMBLY

PROPRIETARY AND CONFIDENTIAL
THE INFORMATION CONTAINED IN THIS DRAWING IS THE SOLE PROPERTY OF MIFAB, INC. ANY REPRODUCTION IN PART OR AS A WHOLE WITHOUT THE WRITTEN PERMISSION OF MIFAB, INC. IS PROHIBITED.

LASER/SHEAR:		UNLESS OTHERWISE SPECIFIED: DIMENSIONS ARE IN INCHES TOLERANCES: FRACTIONAL $\pm 1/16$ ANGULAR: MACH $\pm 1^\circ$ BEND $\pm 1^\circ$ TWO PLACE DECIMAL $\pm .015$ THREE PLACE DECIMAL $\pm .010$ TYPICAL DRAFT ANGLE 2°	NAME	DATE
BRAKE PRESS:			DRAWN	JH 8/29/19
WELDED BY:			CHECKED	XX
CLEAN/PAIN:			ENG APPR.	
COMPLETED BY:			MFG APPR.	
REVIEWED BY:		MATERIAL DESCRIPTION	Q.A.	
		SEE-BOM	QUANTITY:	
NEXT ASSY	USED ON	FINISH PART#	SEE-BOM	
		XX		
APPLICATION		DO NOT SCALE DRAWING		

NAME	DATE
DRAWN	JH 8/29/19
CHECKED	XX
ENG APPR.	
MFG APPR.	
Q.A.	
QUANTITY:	
SEE-BOM	



TITLE: WATER DAM EXTENSION FOR SIPHONIC DRAINS		
SIZE	DWG. NO.	REV
B	MH-X01-WDEXT-2IN	
SCALE: 1:2.5 WEIGHT:		SHEET 1 OF 1

8 7 6 5 4 3 2 1