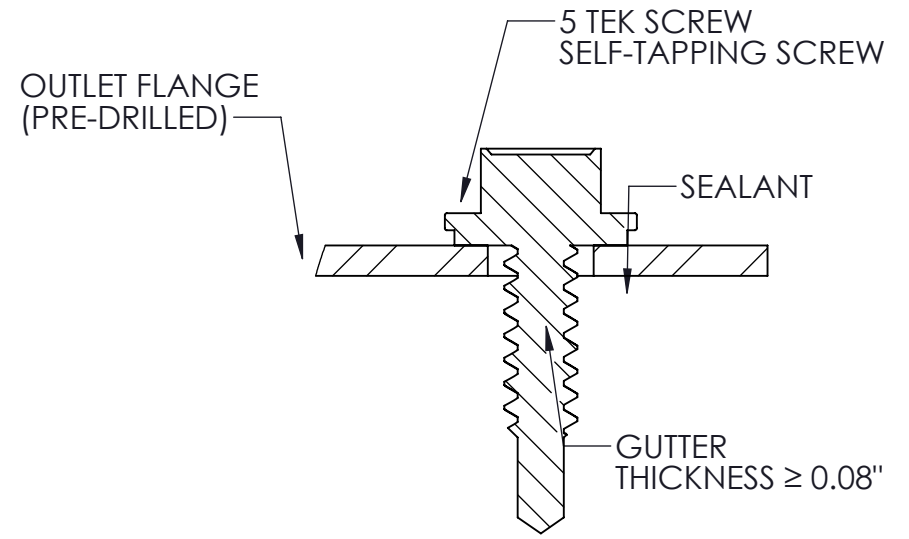
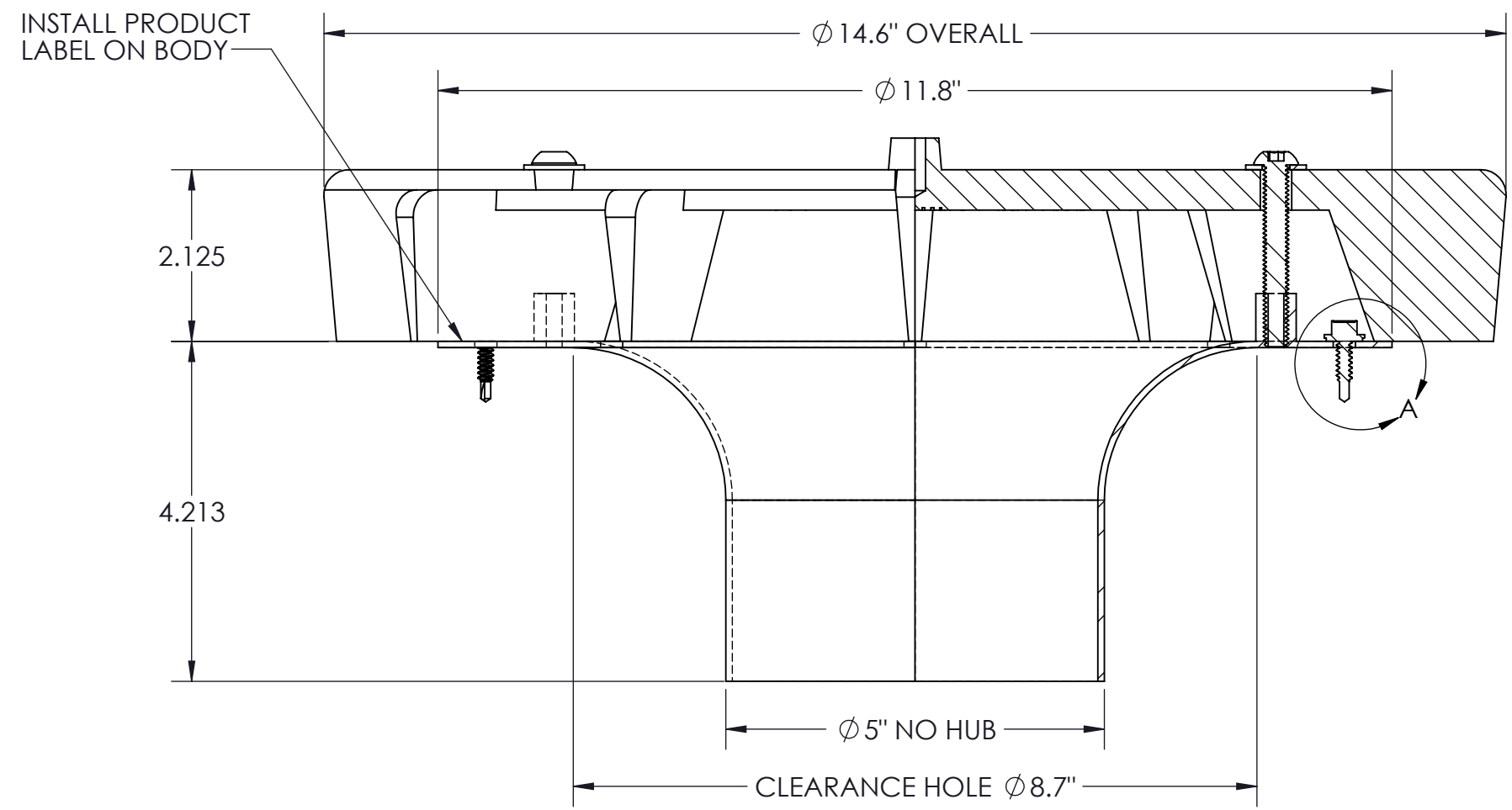


PRODUCT LABEL
PRODUCT LABEL TO BE INSTALLED AS SHOWN



DETAIL A
SCALE 2 : 1

PROPRIETARY AND CONFIDENTIAL
THE INFORMATION CONTAINED IN THIS DRAWING IS THE SOLE PROPERTY OF MIFAB, INC. ANY REPRODUCTION IN PART OR AS A WHOLE WITHOUT THE WRITTEN PERMISSION OF MIFAB, INC. IS PROHIBITED.

LASER/SHEAR:	UNLESS OTHERWISE SPECIFIED:	NAME	DATE
BRAKE PRESS:	DIMENSIONS ARE IN INCHES	DRAWN	
WELDED BY:	TOLERANCES:	CHECKED	
CLEAN/PAINT:	FRACTIONAL $\pm 1/16$	ENG APPR.	
COMPLETED BY:	ANGULAR: MACH $\pm 1^\circ$ BEND $\pm 1^\circ$	MFG APPR.	
REVIEWED BY:	TWO PLACE DECIMAL ± 0.015	Q.A.	
	THREE PLACE DECIMAL ± 0.010	QUANTITY:	
	TYPICAL DRAFT ANGLE 2°		
	MATERIAL DESCRIPTION		
	FINISH PART#		
NEXT ASSY	USED ON		
APPLICATION	DO NOT SCALE DRAWING		

TITLE: SS SIPHONIC DRAIN

SIZE DWG. NO. REV
C MH-505-G

SCALE: 1:2 WEIGHT: SHEET 1 OF 1