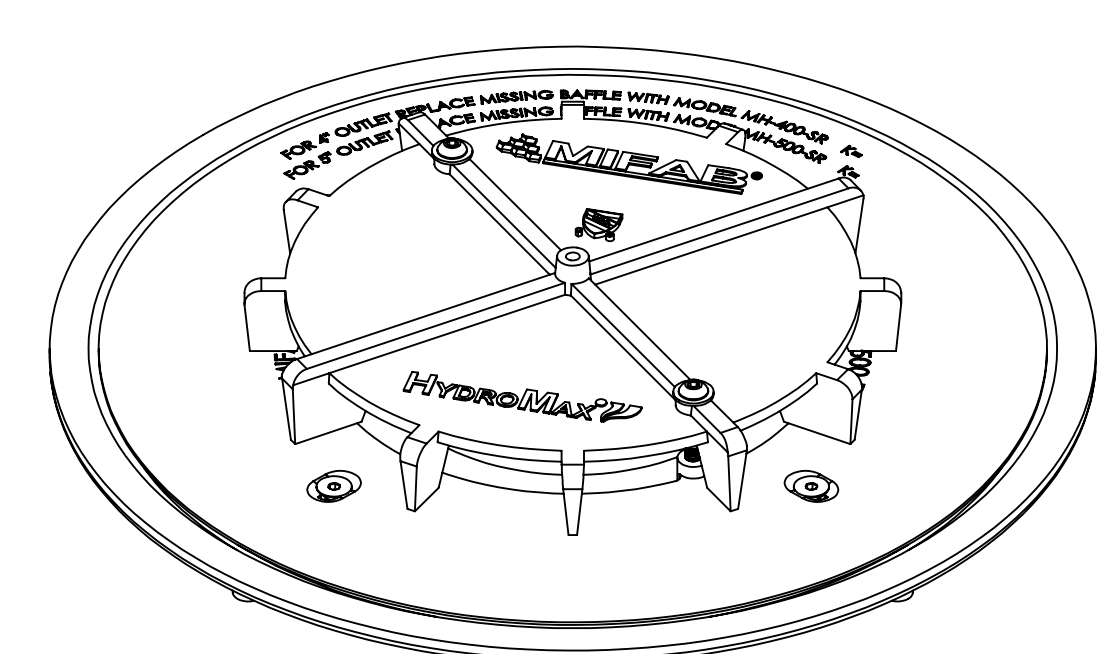
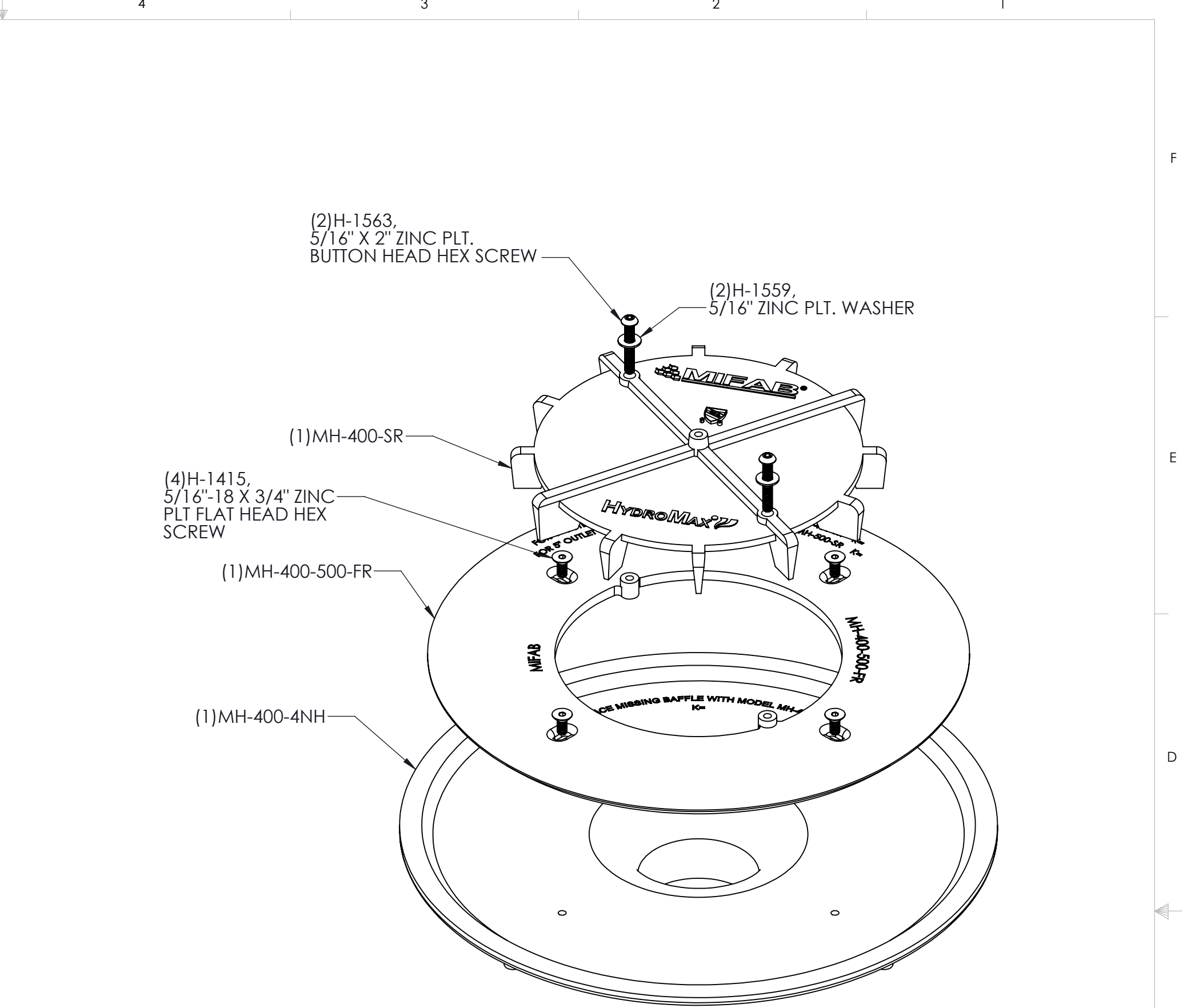
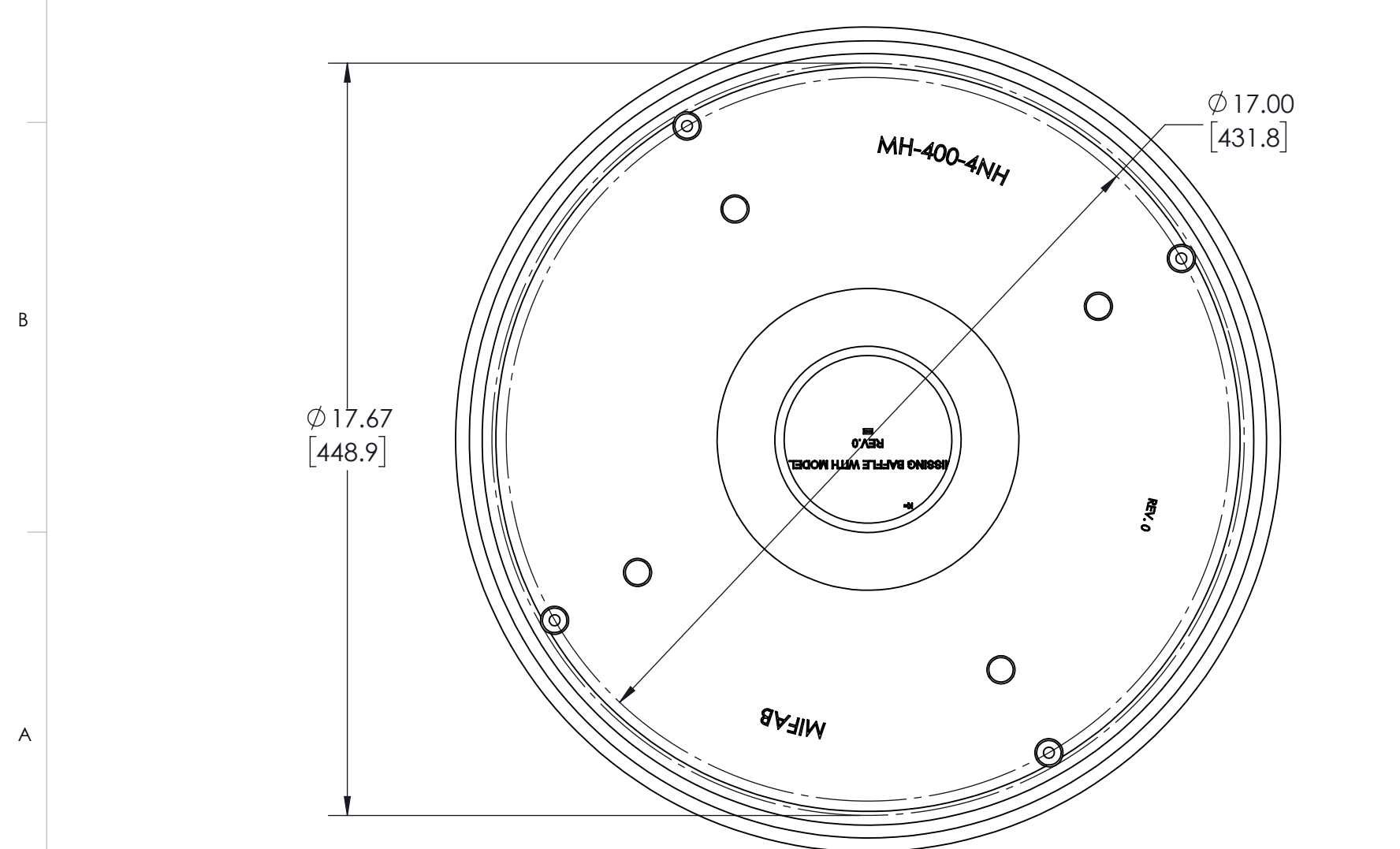


SECTION A-A



LASER/SHEAR:	UNLESS OTHERWISE SPECIFIED:	NAME	DATE
BRAKE PRESS:	DIMENSIONS ARE IN INCHES	DRAWN	KT 09/24/15
WELDED BY:	TOLERANCES:	CHECKED	
CLEAN/PAINT:	FRACTIONAL ±1/16	ENG APPR.	
COMPLETED BY:	ANGULAR: MACH ±1° BEND ±1°	MFG APPR.	
REVIEWED BY:	TWO PLACE DECIMAL ±.015	Q.A.	
	THREE PLACE DECIMAL ±.010	QUANTITY:	
	TYPICAL DRAFT ANGLE 2°		
	MATERIAL DESCRIPTION		
	FINISH PART#		
NEXT ASSY	USED ON		
APPLICATION	DO NOT SCALE DRAWING		

MIFAB
HydroMax
Leaders In Siphonic Drainage

TITLE: 4" SIPHONIC DRAIN

SIZE	DWG. NO.	REV
C	MH-400	

SCALE: 9:32 WEIGHT: 51 LB SHEET 1 OF 1

PROPRIETARY AND CONFIDENTIAL
THE INFORMATION CONTAINED IN THIS DRAWING IS THE SOLE PROPERTY OF MIFAB, INC. ANY REPRODUCTION IN PART OR AS A WHOLE WITHOUT THE WRITTEN PERMISSION OF MIFAB, INC. IS PROHIBITED.