

Location: _____

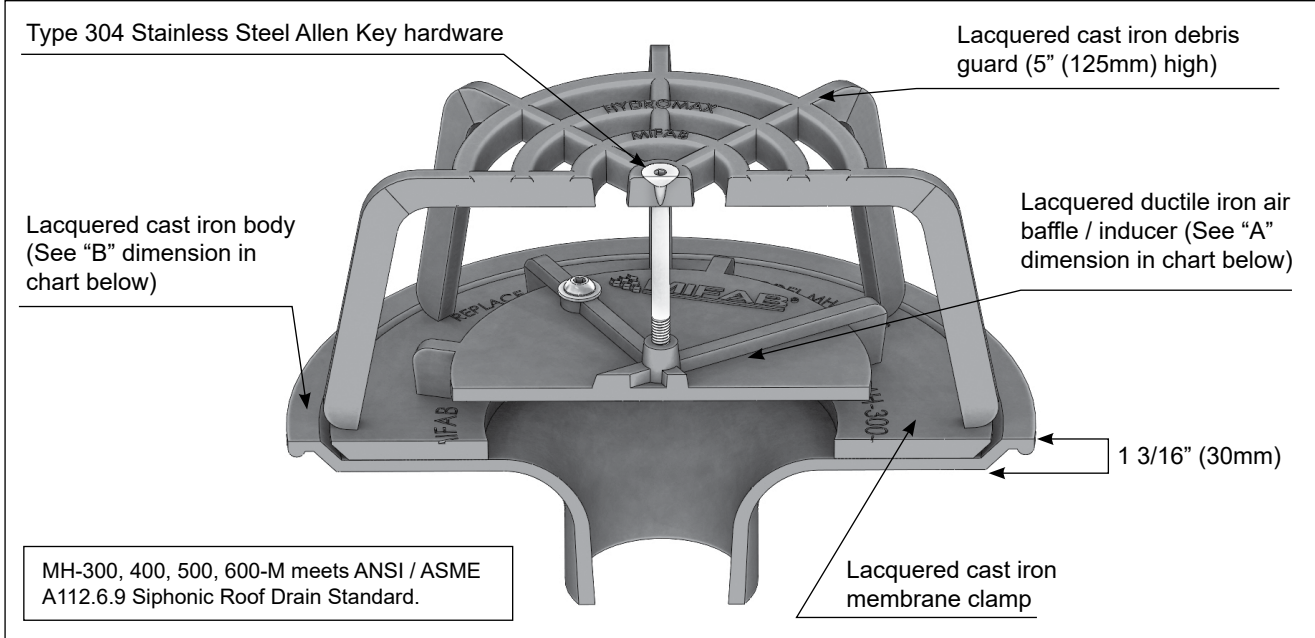


**MH-300, 400,
500, 600-DG**

**SIPHONIC ROOF DRAIN WITH
DEBRIS GUARD**

Specification: MIFAB® / Hydromax Series MH-300, 400, 500, 600-M (specify outlet connection size) lacquered cast iron siphonic roof drain with wide anchor flange, cast iron waterproofing membrane clamp ring, ductile iron air baffle / inducer with Type 304 stainless steel allen key hardware and cast iron debris guard.

Function: Used in any type of roofs as a siphonic roof drain system. The debris guard will prevent debris and other objects from clogging the drain.



MH-300, 400, 500, 600-M meets ANSI / ASME A112.6.9 Siphonic Roof Drain Standard.

MODEL NUMBER	PIPE SIZE	BODY HEIGHT NO HUB (STANDARD)	PERFORMANCE AND DIMENSION INFORMATION				
			Resistance Value (K)	Minimum Flow Rate (GPM)	Maximum Flow Rate (GPM)	"A" Air Baffle / Inducer Diameter	"B" Body Diameter
MH-300-DG	3" (76)	3 1/8" (79)	0.12	23.00	450.00	8 7/8" (225)	13" (330)
MH-400-DG	4" (102)	3 1/2" (90)	0.08	75.00	750.00	12 1/5" (310)	19 3/8" (492)
MH-500-DG	5" (125)	4 3/8" (110)	0.04	120.00	1,280.00	14 5/8" (371)	19 3/8" (492)
MH-600-DG	6" (152)	4 3/4" (120)	0.04	160.00	1,820.00	17 7/8" (454)	25 1/4" (640)

Suffix	Description
-11	Acid resistant epoxy coated body
-12	Galvanized metal dome
-12A	Galvanized body and membrane clamp
-12B	Galvanized metal dome and membrane clamp
-13	Galvanized body, membrane clamp and dome
-BP	Sump receiver
-BA	Buy American Act Compliant product
-C	Secondary clamp
-E	Adjustable extension
-BG	Stainless steel ballast guard
-PA	Pennsylvania Steel Act compliant product
-UDC	Underdeck clamp

CALIFORNIA PROPOSITION 65 WARNING. This product contains chemicals known to the State of California to cause cancer and birth defects or other reproductive harm.

Job Name: _____ Page No: _____
 Section No: _____ Contractor: _____
 Schedule No: _____ Purchase Order No: _____